

# AMS29

**SECTORS:**



**CHARACTERISTICS:**

- Balanced.
- System attached to the shaft by allen screws.
- Not dependent on the rotation direction.

**OPERATING LIMITS:**

$d_1 = 18$  to  $100$  mm     $p = 25$  kg/cm<sup>2</sup>  
 $v = 20$  m/s                 $t = -15$  to  $+200^{\circ}\text{C}^{(*)}$

(\*) The temperature resistance depends on the material of the secondary seals used.

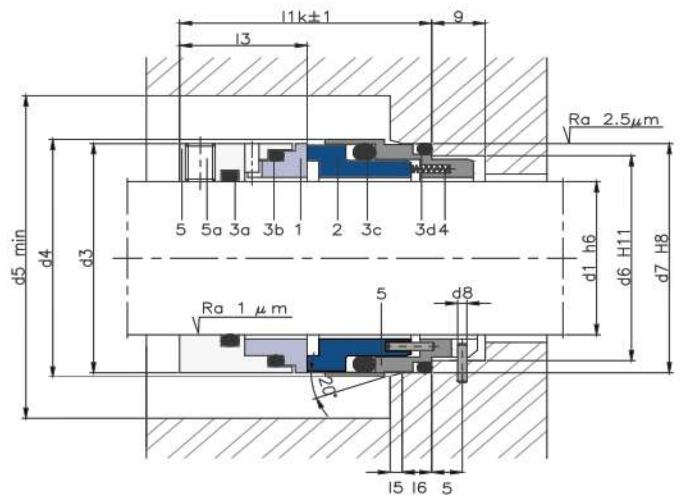
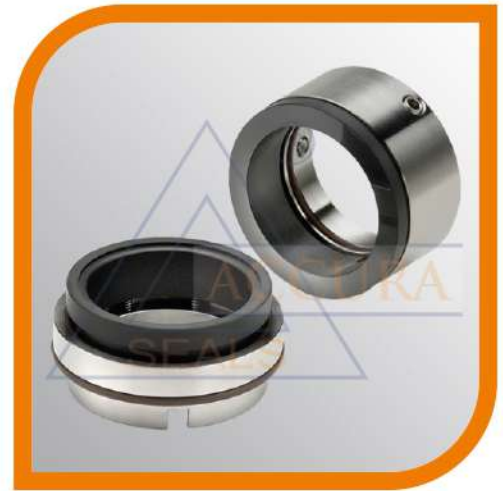
The operating limits are defined by the PV factor which is determined for the sealing system characteristics and those of the application.

**DESCRIPTION:**

The fact that the springs are not in contact with the fluid makes this mechanical seal perfect for working with particle-laden fluids, as it prevents them from becoming blocked or obstructed. Its structure and design makes it ideal for vacuum operations without having to use a retaining ring. It can be used with a single, tandem-mounted (API52) or back-to back (API53) mounting system. The O-ring resting on the shaft is not affected by any axial movement (changes in pressure) and therefore produces no wear on the surface of the shaft. Seal compliant with standard EN 12756 (KU).

**COMPONENTS:**

- 1 Rotating contact surface
- 2 Stationary contact surface
- 3a O-rings
- 3b O-rings
- 3c O-rings
- 3d O-rings
- 4 Springs
- 5 Metal frame
- 5a Set screws



**DIMENSIONS CHART**    Dimensions in mm

Shaft mm	Rotary part			Stationary part						Total length l <sub>1k</sub>
	d <sub>3</sub>	d <sub>4</sub>	l <sub>3</sub>	d <sub>5</sub>	d <sub>6</sub>	d <sub>7</sub>	d <sub>8</sub>	l <sub>5</sub>	l <sub>6</sub>	
18	33	34.7	19.5	39.7	27	33	3	2.0	5	37.5
20	35	36.7	19.5	41.7	29	35	3	2.0	5	37.5
22	37	38.7	19.5	43.7	31	37	3	2.0	5	37.5
24	39	40.7	20.5	45.7	33	39	3	2.0	5	40.0
25	40	41.7	20.5	46.7	34	40	3	2.0	5	40.0
28	43	44.7	21.5	49.7	37	43	3	2.0	5	42.5
30	45	46.7	21.5	51.7	39	45	3	2.0	5	42.5
32	48	49.7	21.5	54.7	42	48	3	2.0	5	42.5
33	48	49.7	21.5	54.7	42	48	3	2.0	5	42.5
35	50	51.7	21.5	56.7	44	50	3	2.0	5	42.5
38	56	57.7	24.0	62.7	49	56	4	2.0	5	45.0
40	58	59.7	24.0	64.7	51	58	4	2.0	5	45.0
43	61	62.7	24.0	67.7	54	61	4	2.0	5	45.0
45	63	64.7	24.0	69.7	56	63	4	2.0	5	45.0
48	66	67.7	24.0	72.7	59	66	4	2.0	5	45.0
50	70	71.7	25.0	76.7	62	70	4	2.5	6	47.5
53	73	74.7	25.0	79.7	65	73	4	2.5	6	47.5
55	75	76.7	25.0	81.7	67	75	4	2.5	6	47.5
58	78	80.5	28.0	85.5	70	78	4	2.5	6	52.5
60	80	82.5	28.0	87.5	72	80	4	2.5	6	52.5
63	83	85.5	28.0	90.5	75	83	4	2.5	6	52.5
65	85	87.5	28.0	92.5	77	85	4	2.5	6	52.5
68	90	92.5	28.0	97.5	81	90	4	2.5	7	52.5
70	92	94.5	34.0	99.5	83	92	4	2.5	7	60.0
75	97	100.5	34.0	105.5	88	97	4	2.5	7	60.0
80	105	108.5	34.0	113.5	95	105	4	3.0	7	60.0
85	110	113.5	34.0	118.5	100	110	4	3.0	7	60.0
90	115	118.5	39.0	123.5	105	115	4	3.0	7	65.0
95	120	123.5	39.0	128.5	110	120	4	3.0	7	65.0
100	125	128.5	39.0	133.5	115	125	4	3.0	7	65.0

Dimensions subject to changes or modifications.