

AWS10B

SECTORS:



CHARACTERISTICS:

- Balanced.
- System attached to the shaft by allen screws.
- Not dependent on the rotation direction.

OPERATING LIMITS:

$d_1 = 14$ to 100 mm $p = 25$ kg/cm²
 $v = 20$ m/s $t = -50$ to $+220^{\circ}\text{C}^{(*)}$

(*) The temperature resistance depends on the material of the secondary seals used.

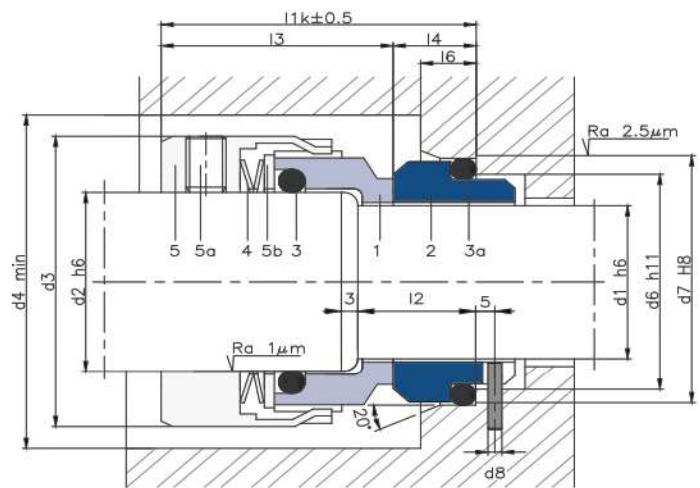
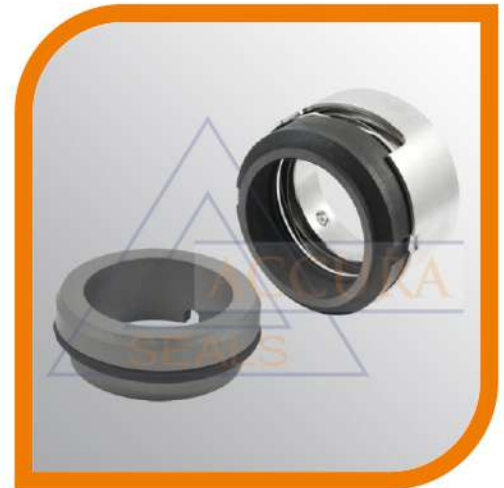
The operating limits are defined by the PV factor which is determined for the sealing system characteristics and those of the application.

DESCRIPTION:

The balanced contact surface design allows the mechanical seal to be used in applications with high pressures without suffering premature wear. Recommended for working with sticky fluids and fluids laden with particles and fibres. Unlike the multispring models, the wave spring model cannot be blocked or obstructed and its open leaf design produces a self-cleaning effect. Standard A9 type fixed stationary part, standardised seal, compliant with EN 12756 (KB). The casing can incorporate a pumping ring to reduce the temperature between the contact surfaces and facilitate the barrier fluid movement in the case of double mounting (AWS10B-F).

COMPONENTS:

- 1 Rotating contact surface
- 2 Stationary contact surface
- 3 O-rings
- 3a O-rings
- 4 Springs
- 5 Metal frame
- 5a Set screws
- 5b Ring



DIMENSIONS CHART Dimensions in mm

Shaft		Rotary part			Stationary part						Total length
d ₁	d ₂	d ₃	d ₄	l ₃	d ₆	d ₇	d ₈	l ₂	l ₄	l ₆	l _{1k}
14	18	33	37	32.5	21	25	3	18	10.0	9	42.5
16	20	35	39	32.5	23	27	3	18	10.0	9	42.5
18	22	37	41	33.5	27	33	3	20	11.5	9	45.0
20	24	39	43	33.5	29	35	3	20	11.5	9	45.0
22	26	41	45	33.5	31	37	3	20	11.5	9	45.0
24	28	43	47	36.0	33	39	3	20	11.5	9	47.5
25	30	45	49	36.0	34	40	3	20	11.5	9	47.5
28	33	48	52	38.5	37	43	3	20	11.5	9	50.0
30	35	50	54	38.5	39	45	3	20	11.5	9	50.0
32	38	55	59	38.5	42	48	3	20	11.5	9	50.0
33	38	55	59	38.5	42	48	3	20	11.5	9	50.0
35	40	57	61	38.5	44	50	3	20	11.5	9	50.0
38	43	60	64	38.5	49	56	4	23	14.0	10	52.5
40	45	62	66	38.5	51	58	4	23	14.0	10	52.5
43	48	65	69	38.5	54	61	4	23	14.0	10	52.5
45	50	67	71	38.5	56	63	4	23	14.0	10	52.5
48	53	70	74	38.5	59	66	4	23	14.0	10	52.5
50	55	72	76	42.5	62	70	4	25	15.0	11	57.5
53	58	79	83	42.5	65	73	4	25	15.0	11	57.5
55	60	81	85	42.5	67	75	4	25	15.0	11	57.5
58	63	84	88	47.5	70	78	4	25	15.0	11	62.5
60	65	86	90	47.5	72	80	4	25	15.0	11	62.5
63	68	89	93	47.5	77	83	4	25	15.0	11	62.5
65	70	91	95	47.5	75	85	4	25	15.0	11	62.5
70	75	99	103	52.0	83	92	4	28	18.0	12	70.0
75	80	104	108	52.0	88	97	4	28	18.0	12	70.0
80	85	109	113	51.8	95	105	4	28	18.2	13	70.0
85	90	114	118	56.8	100	110	4	28	18.2	13	75.0
90	95	119	123	56.8	105	115	4	28	18.2	13	75.0
95	100	124	128	57.8	110	120	4	28	17.2	13	75.0
100	105	129	133	57.8	115	125	4	28	17.2	13	75.0

Dimensions subject to changes or modifications.