

# ARB50

**SECTORS:**



**CHARACTERISTICS:**

- Balanced.
- Not dependent on the rotation direction
- Single cylindrical spring.

**OPERATING LIMITS:**

$d_1 = 14$  to 100 mm     $p = 20 \text{ kg/cm}^2$   
 $v = 15 \text{ m/s}$      $t = -15$  to  $+200^\circ\text{C} (*)$

(\*) The temperature resistance depends on the material of the secondary seals used.

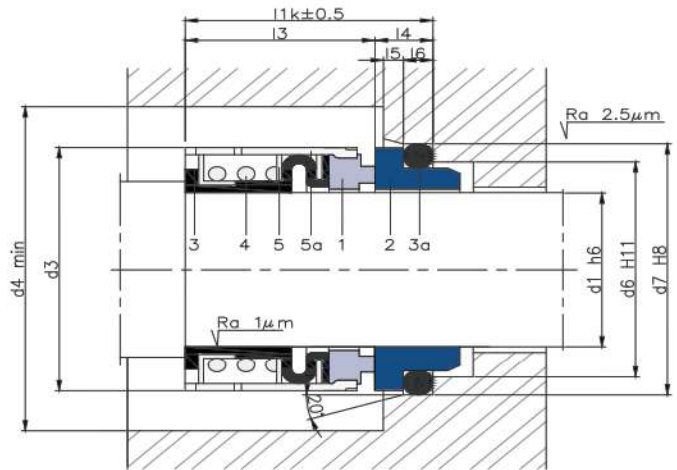
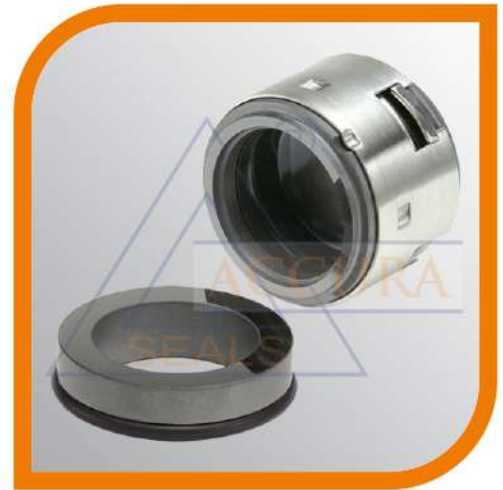
The operating limits are defined by the PV factor which is determined for the sealing system characteristics and those of the application.

**DESCRIPTION:**

A balanced seal without the need for a stepped shaft. The casing of the rotating part protects the bellows from abrasion and from the rotation transmission tensions, and the spring from blocking in the event of being contaminated by fibers and particles. It is recommended for use with highly viscous or sticky fluids containing fibers or particles, or with fluids that produce a chemical attack on the shaft.

**COMPONENTS:**

- 1 Rotating contact surface
- 2 Stationary contact surface
- 3 Bellows
- 3a O-ring
- 4 Spring
- 5 Ring
- 5a Metal frame



**DIMENSIONS CHART**    Dimensions in mm

Shaft mm	Rotary part			Stationary part					Total length $l_{1K}$
	$d_3$	$d_4$	$l_3$	$d_6$	$d_7$	$l_4$	$l_5$	$l_6$	
14	24	26	23.0	21	25	12.0	1.5	4	35.0
16	26	28	23.0	23	27	12.0	1.5	4	35.0
18	32	34	24.0	27	33	13.5	2.0	4	37.5
20	34	36	24.0	29	35	13.5	2.0	5	37.5
22	36	38	24.0	31	37	13.5	2.0	5	37.5
24	38	40	26.7	33	39	13.5	2.0	5	40.2
25	39	41	27.0	34	40	13.0	2.0	5	40.0
28	42	44	30.0	37	43	12.5	2.0	5	42.5
30	44	46	30.5	39	45	12.0	2.0	5	42.5
32	46	48	30.5	42	48	12.0	2.0	5	42.5
33	47	49	30.5	42	48	12.0	2.0	5	42.5
35	49	51	30.5	44	50	12.0	2.0	5	42.5
38	54	58	32.0	49	56	13.0	2.0	6	45.0
40	56	60	32.0	51	58	13.0	2.0	6	45.0
43	59	63	32.0	54	61	13.0	2.0	6	45.0
45	61	65	32.0	56	63	13.0	2.0	6	45.0
48	64	68	32.0	59	66	13.0	2.0	6	45.0
50	66	70	34.0	62	70	13.5	2.5	6	47.5
53	69	73	34.0	65	73	13.5	2.5	6	47.5
55	71	75	34.0	67	75	13.5	2.5	6	47.5
58	78	83	39.0	70	78	13.5	2.5	6	52.5
60	80	85	39.0	72	80	13.5	2.5	6	52.5
63	83	88	39.0	75	83	13.5	2.5	6	52.5
65	85	90	39.0	77	85	13.5	2.5	6	52.5
68	88	93	39.0	81	90	13.5	2.5	7	52.5
70	90	95	45.5	83	92	14.5	2.5	7	60.0
75	95	104	45.5	88	97	14.5	2.5	7	60.0
80	104	109	45.0	95	105	14.5	2.5	7	60.0
85	109	114	45.0	100	110	14.5	2.5	7	60.0
90	110	119	50.0	105	115	15.0	3.0	7	65.0
95	119	124	50.0	110	120	15.0	3.0	7	65.0
100	124	129	50.0	115	125	15.0	3.0	7	65.0

Dimensions subject to changes or modifications.