

ARB25-R - ARB25KU-R and ARB25NU-R

SECTORS:



CHARACTERISTICS:

- Balanced.
- Not dependent on the rotation direction
- Single cylindrical spring.

OPERATING LIMITS:

$d_1 = 10$ to 100 mm $p = 20$ kg/cm²
 $v = 15$ m/s $t = -15$ to $+200^\circ\text{C}$ (*)

(*) The temperature resistance depends on the material of the secondary seals used.

The operating limits are defined by the PV factor which is determined for the sealing system characteristics and those of the application.

DESCRIPTION:

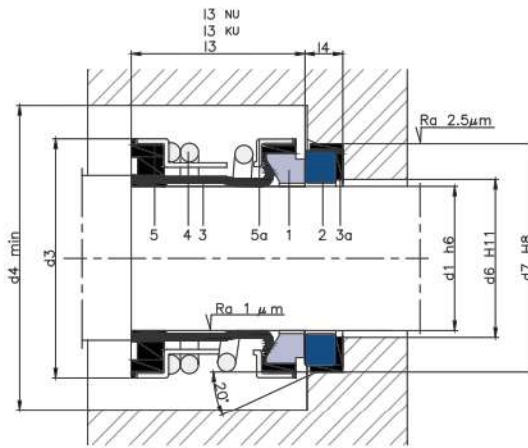
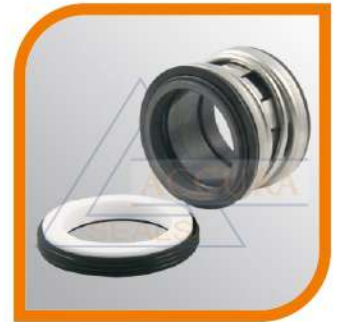
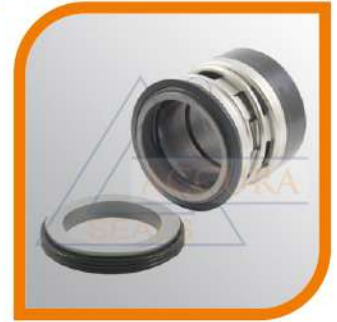
An extremely versatile general-use mechanical seal. It has metal tabs that reduce fatigue and tension in the rubber bellows when in the working position. A balanced seal without the need for a stepped shaft. The seal can operate in applications with high pressures without suffering premature wear.

Types:

ARB25KU-R and ARB25NU-R: standardised dimensions in accordance with standard EN 12756 (KU and NU respectively).

COMPONENTS:

- 1 Rotating contact surface
- 2 Stationary contact surface
- 3 Bellows
- 3a Elastomeric cup
- 4 Springs
- 5 Ring
- 5a Metal frame



DIMENSIONS CHART Dimensions in mm

Shaft mm	Rotary part					Stationary part		
	d ₃	d ₄	l ₃	l _{3KU}	l _{3NU}	d ₆	d ₇	l ₄
10	20	22	15	27.5	35.0	15	21	5.0
12	22	24	15	28.5	34.0	17	23	6.0
14	24	26	15	29.0	34.0	19	25	6.0
15	25	27	15	29.0	34.0	20	26	6.0
16	26	28	15	29.0	34.0	23	27	6.0
18	32	34	20	31.5	39.0	25	33	6.0
20	34	36	20	31.5	39.0	27	35	6.0
22	36	38	20	31.5	39.0	29	37	6.0
24	38	40	20	34.0	44.0	31	39	6.0
25	39	41	20	34.0	44.0	32	40	6.0
28	42	44	26	36.5	44.0	35	43	6.0
30	44	46	26	35.5	43.0	37	45	7.0
32	46	48	26	35.5	48.0	40	48	7.0
33	47	49	26	35.5	48.0	40	48	7.0
35	49	51	26	34.5	47.0	42	50	8.0
38	54	58	30	37.0	47.0	47	56	8.0
40	56	60	30	37.0	47.0	49	58	8.0
43	59	63	30	37.0	52.0	52	61	8.0
45	61	65	30	37.0	52.0	54	63	8.0
48	64	68	30	35.0	50.0	57	66	10.0
50	66	70	30	37.5	50.0	60	70	10.0
53	69	73	30	37.5	50.0	63	73	10.0
55	71	75	30	37.5	50.0	65	75	10.0
58	78	83	33	42.5	60.0	68	78	10.0
60	80	85	33	40.5	58.0	70	80	12.0
63	83	88	33	40.5	58.0	73	83	12.0
65	85	90	33	40.5	68.0	75	85	12.0
68	88	93	33	40.5	68.0	79	90	12.0
70	90	95	33	48.0	68.0	81	92	12.0
75	99	104	40	48.0	68.0	86	97	12.0
80	104	109	40	47.5	77.5	92	105	12.5
85	109	114	40	47.5	77.5	97	110	12.5
90	114	119	40	52.5	77.5	102	115	12.5
95	119	124	40	52.5	77.5	117	120	12.5
100	124	129	40	52.5	77.5	122	125	12.5

Dimensions subject to changes or modifications.

DIMENSIONS CHART For Imperial Shaft Sizes

Shaft (")	mm	Rotary part			Stationary part	
		d ₃	d ₄	l ₃	d ₇	l ₄
0.375	9.53	20	22	15	22.23	7.9
0.500	12.70	24	26	15	25.40	7.9
0.625	15.88	26	28	15	31.75	10.3
0.750	19.05	32	34	20	34.93	10.3
0.875	22.23	36	38	20	38.10	10.3
1.000	25.40	39	41	20	41.28	11.1
1.125	28.58	42	44	26	44.45	11.1
1.250	31.75	46	48	26	47.63	11.1
1.375	34.93	49	51	26	50.80	11.1
1.500	38.10	54	58	30	53.98	11.1
1.625	41.28	56	60	30	60.33	12.7
1.750	44.45	61	65	30	63.50	12.7
1.875	47.63	64	68	30	66.68	12.7
2.000	50.80	66	70	30	69.85	12.7
2.125	53.98	69	73	30	76.20	14.3
2.250	57.15	78	83	33	79.38	14.3
2.375	60.33	80	85	33	82.55	14.3
2.500	63.50	83	88	33	85.73	14.3
2.625	66.68	88	93	33	85.73	15.9
2.750	69.85	90	95	33	88.90	15.9
2.875	73.03	96	101	33	95.25	15.9
3.000	76.20	99	104	40	98.43	15.9
3.125	79.38	103	108	40	101.60	19.8
3.250	82.55	104	109	40	104.78	19.8
3.375	85.73	108	114	40	107.95	19.8
3.500	88.90	112	117	40	111.13	19.8
3.625	92.08	114	119	40	114.30	19.8
3.750	95.25	118	124	40	117.48	19.8
3.875	98.43	122	127	40	120.65	19.8
4.000	101.60	124	129	40	123.83	19.8