

AWS12

SECTORS:



CHARACTERISTICS:

- Unbalanced.
- System attached to the shaft by allen screws.
- Not dependent on the rotation direction.

OPERATING LIMITS:

$d_f = 20$ to 100 mm $p = 10$ kg/cm²
 $v = 20$ m/s $t = -15$ to $+200^{\circ}\text{C}^{(*)}$

(*) The temperature resistance depends on the material of the secondary seals used.

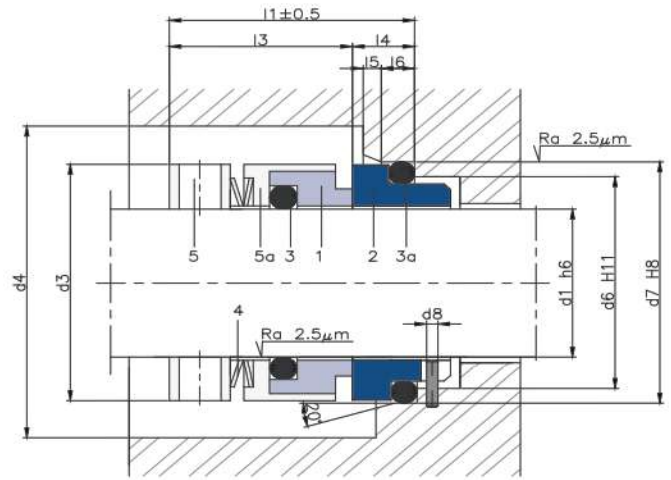
The operating limits are defined by the PV factor which is determined for the sealing system characteristics and those of the application.

DESCRIPTION:

Its mounting dimensions make it a perfect seal for installing in small spaces. The wave spring is not blocked or obstructed when working with fluids laden with particles and fibers, or viscous fluids. Standard L1 DIN stationary part.

COMPONENTS:

- 1 Rotating contact surface
- 2 Stationary contact surface
- 3 O-rings
- 3a O-rings
- 4 Springs
- 5 Set screws
- 5a Metal frame



DIMENSIONS CHART Dimensions in mm

Shaft mm	Rotary part			Stationary part						Total length l ₁
	d ₃	d ₄	l ₃	d ₆	d ₇	d ₈	l ₄	l ₅	l ₆	
20	31	36	20.5	29	35	3	10.0	2.0	5	30.5
22	33	38	20.5	31	37	3	10.0	2.0	5	30.5
24	36	41	22.5	33	39	3	10.0	2.0	5	32.5
25	39	44	23.5	34	40	3	10.0	2.0	5	33.5
28	42	47	23.5	37	43	3	10.0	2.0	5	33.5
30	44	49	24.5	39	45	3	10.0	2.0	5	34.5
32	46	51	24.5	42	48	3	10.0	2.0	5	34.5
33	47	52	24.5	42	48	3	10.0	2.0	5	34.5
35	49	54	24.5	44	50	3	10.0	2.0	5	34.5
38	53	58	27.0	49	56	4	11.0	2.0	6	38.0
40	55	60	28.0	51	58	4	11.0	2.0	6	39.0
43	58	63	28.0	54	61	4	11.0	2.0	6	39.0
45	60	65	28.0	56	63	4	11.0	2.0	6	39.0
48	63	68	28.0	59	66	4	11.0	2.0	6	39.0
50	66	71	27.0	62	70	4	13.0	2.5	6	39.0
53	69	74	27.0	65	73	4	13.0	2.5	6	39.0
55	71	76	27.0	67	75	4	13.0	2.5	6	39.0
58	77	82	29.0	70	78	4	13.0	2.5	6	42.0
60	79	84	29.0	72	80	4	13.0	2.5	6	42.0
63	82	87	32.0	75	83	4	13.0	2.5	6	45.0
65	84	89	32.0	77	85	4	13.0	2.5	6	45.0
68	87	92	33.5	81	90	4	15.0	2.5	7	48.5
70	89	94	32.0	83	92	4	15.0	2.5	7	47.0
75	94	99	32.0	88	97	4	15.0	2.5	7	47.0
80	100	105	32.5	95	105	4	15.5	3.0	7	48.0
85	105	110	32.5	100	110	4	15.5	3.0	7	48.0
90	112	117	38.5	105	115	4	15.5	3.0	7	54.0
95	117	122	38.5	110	120	4	15.5	3.0	7	54.0
100	122	127	38.5	115	125	4	15.5	3.0	7	54.0

Dimensions subject to changes or modifications.