

ARBOU and ARBOOL

SECTORS:



CHARACTERISTICS:

- Balanced.
- Not dependent on the rotation direction.
- Single cylindrical spring.

OPERATING LIMITS:

$d_f = 9.52 \text{ to } 101.60 \text{ mm}$ $p = 14 \text{ kg/cm}^2$
 $v = 13 \text{ m/s}$ $t = -20 \text{ to } +200^\circ\text{C} (*)$

(*) The temperature resistance depends on the material of the secondary seals used.

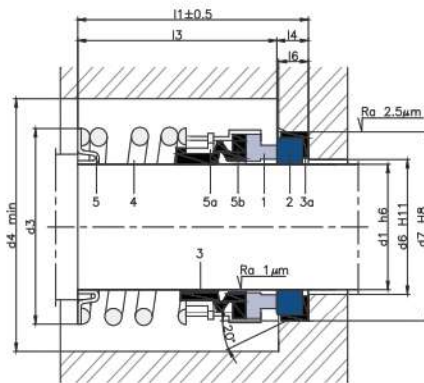
The operating limits are defined by the PV factor which is determined for the sealing system characteristics and those of the application.

DESCRIPTION:

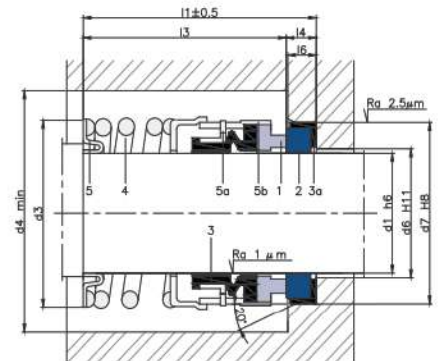
Mechanical seal with a simple, compact design for all-purpose use and in particular in applications with moderate pressures (up to 14 kg/cm^2) such as pumps and compressors.

COMPONENTS:

- 1 Rotating contact surface
- 2 Stationary contact surface
- 3 Bellows
- 3a Elastomeric cup
- 4 Springs
- 5 Ring
- 5a Drive ring
- 5b Metal frame



TYPE ARBOU



TYPE ARBOOL

DIMENSIONS CHART ARBOU For Imperial Shaft Sizes

Shaft (")	mm	Rotary part			Stationary part				Total length l ₁
		d ₃	d ₄	l ₃	d ₆	d ₇	l ₄	l ₆	
5/8	15.88	27.8	31.8	33.3	23.80	31.75	10.3	8.7	43.6
3/4	19.05	30.9	34.9	33.3	26.98	34.93	10.3	8.7	43.6
7/8	22.23	34.1	38.1	33.3	30.15	38.10	10.3	8.7	43.6
1	25.40	38.1	42.1	39.7	33.32	41.28	11.1	9.5	50.8
1 1/8	28.58	41.3	45.3	41.3	36.50	44.44	11.1	9.5	52.4
1 1/4	31.75	46.0	50.0	41.3	39.70	47.63	11.1	9.5	52.4
1 3/8	34.93	47.6	51.6	42.9	42.84	50.80	11.1	9.5	54.0
1 1/2	38.10	50.8	54.8	42.9	46.05	53.98	11.1	9.5	54.0
1 5/8	41.28	57.2	61.2	50.8	50.80	60.33	12.7	11.1	63.5
1 3/4	44.45	60.4	64.4	50.8	53.97	63.50	12.7	11.1	63.5
1 7/8	47.63	63.5	67.5	54.0	57.15	66.68	12.7	11.1	66.7
2	50.80	66.7	70.7	54.0	60.32	69.85	12.7	11.1	66.7
2 1/8	53.98	71.4	75.4	60.3	60.32	76.20	14.2	12.7	74.5
2 1/4	57.15	74.6	78.6	60.3	61.90	79.38	14.2	12.7	74.5
2 3/8	60.33	78.3	82.3	63.5	67.39	82.55	14.2	12.7	77.7
2 1/2	63.50	81.0	85.0	63.5	68.25	85.73	14.2	12.7	77.7
2 5/8	66.68	85.7	89.7	69.9	71.42	85.73	15.8	14.5	85.7
2 3/4	69.85	88.9	92.9	69.9	74.60	88.90	15.8	14.5	85.7
2 7/8	73.03	92.1	96.1	73.0	77.77	95.25	15.8	14.5	88.8
3	76.20	95.3	99.3	73.0	80.95	98.43	15.8	14.5	88.8
3 1/8	79.38	101.6	105.6	79.4	84.12	101.60	19.8	16.6	99.2
3 1/4	82.55	104.8	108.8	79.4	87.30	104.78	19.8	16.6	99.2
3 3/8	85.73	108.0	112.0	79.4	90.47	107.95	19.8	16.6	99.2
3 1/2	88.90	111.1	115.1	79.4	93.65	111.13	19.8	16.6	99.2
3 5/8	92.08	114.3	118.3	82.6	96.82	114.30	19.8	16.6	102.4
3 3/4	95.25	117.7	121.7	82.6	100.00	117.48	19.8	16.6	102.4
3 7/8	98.43	120.7	124.7	85.7	103.17	120.65	19.8	16.6	105.5
4	101.60	123.8	127.8	85.7	106.35	123.85	19.8	16.6	105.5

Dimensions subject to changes or modifications.

DIMENSIONS CHART ARBOOL For Imperial Shaft Sizes

Shaft (")	mm	Rotary part			Stationary part				Total length l ₁
		d ₃	d ₄	l ₃	d ₆	d ₇	l ₄	l ₆	
5/8	15.88	27.8	31.8	44	17.0	30.9	10.5	8.7	54.5
3/4	19.05	30.9	34.9	44	20.0	34.1	10.5	8.7	54.5
7/8	22.23	34.1	38.1	44	23.0	37.3	10.5	8.7	54.5
1	25.40	38.1	42.1	44	26.5	40.5	10.5	8.7	54.5
1 1/8	28.58	41.3	45.3	60	29.5	47.6	12.0	10.3	72.0
1 1/4	31.75	46.0	50.0	60	32.5	50.8	12.0	10.3	72.0
1 3/8	34.93	47.6	51.6	60	36.5	54.0	12.0	10.3	72.0
1 1/2	38.10	50.8	54.8	60	39.5	57.1	12.0	10.3	72.0
1 5/8	41.28	57.2	61.2	60	42.5	60.3	12.0	10.3	72.0
1 3/4	44.45	60.4	64.4	71	46.0	63.5	12.0	10.3	83.0
1 7/8	47.63	63.5	67.5	71	49.0	66.7	12.0	10.3	83.0
2	50.80	66.7	70.7	71	52.0	69.8	13.5	12.0	84.5
2 1/8	53.98	71.4	75.4	71	55.5	73.1	13.5	12.0	84.5
2 1/4	57.15	74.6	78.6	71	58.5	76.2	13.5	12.0	84.5
2 3/8	60.33	78.3	82.3	71	61.5	79.4	13.5	12.0	84.5
2 1/2	63.50	81.0	85.0	71	65.0	82.5	13.5	12.0	84.5
2 5/8	66.68	85.7	89.7	70	68.0	92.1	16.0	14.3	86.0
2 3/4	69.85	88.9	92.9	70	71.0	95.2	16.0	14.3	86.0
2 7/8	73.03	92.1	96.1	73	74.5	98.4	16.0	14.3	89.0
3	76.20	95.3	99.3	73	77.5	101.6	16.0	14.3	89.0
3 1/8	79.38	101.6	105.6	79	80.5	111.1	20.0	18.3	99.0
3 1/4	82.55	104.8	108.8	79	84.0	114.3	20.0	18.3	99.0
3 3/8	85.73	108.0	112.0	79	87.0	117.5	20.0	18.3	99.0
3 1/2	88.90	111.1	115.1	79	90.5	120.6	20.0	18.3	99.0
3 5/8	92.08	114.3	118.3	83	93.5	123.8	20.0	18.3	103.0
3 3/4	95.25	117.7	121.7	83	96.5	127.0	20.0	18.3	103.0
3 7/8	98.43	120.7	124.7	86	100.0	130.2	20.0	18.3	106.0
4	101.60	123.8	127.8	86	103.0	133.3	20.0	18.3	106.0

Dimensions subject to changes or modifications.