

ADC80

SECTORS:



CHARACTERISTICS:

- Balanced.
- Multispring.
- Not dependent on the rotation direction.
- Barrier fluid connections.

OPERATING LIMITS:

$d_1 = 40$ to 220 mm $p = 16$ kg/cm²

$v = 5$ m/s $t = -40$ to $+300^\circ\text{C}$ (*)

(*) The temperature resistance depends on the material of the secondary seals used.

The operating limits are defined by the PV factor which is determined for the sealing system characteristics and those of the application.

DESCRIPTION:

Special double cartridge for reactors and agitators.

The internal structure "Back to Back" is continuously lubricated by a liquid barrier, which must be pressurized between 1.5 and 2 kg / cm² above the working fluid.

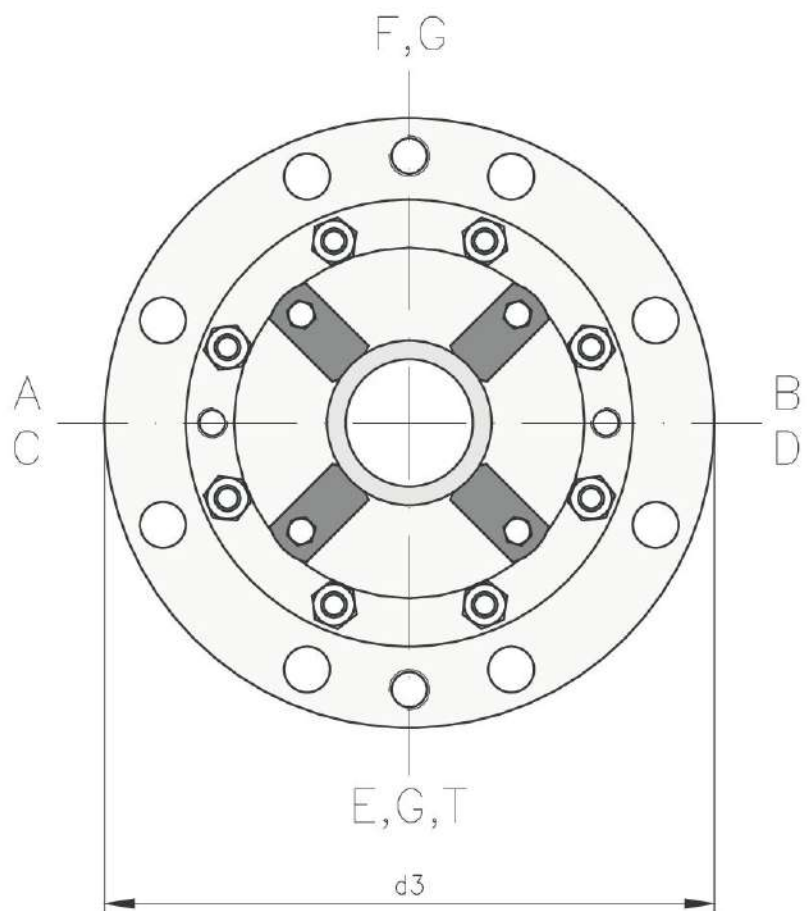
Flange connection for steel vessels DIN 28141, shaft end for steel vessels DIN 28154 and DIN 28136 glass-lined vessels.

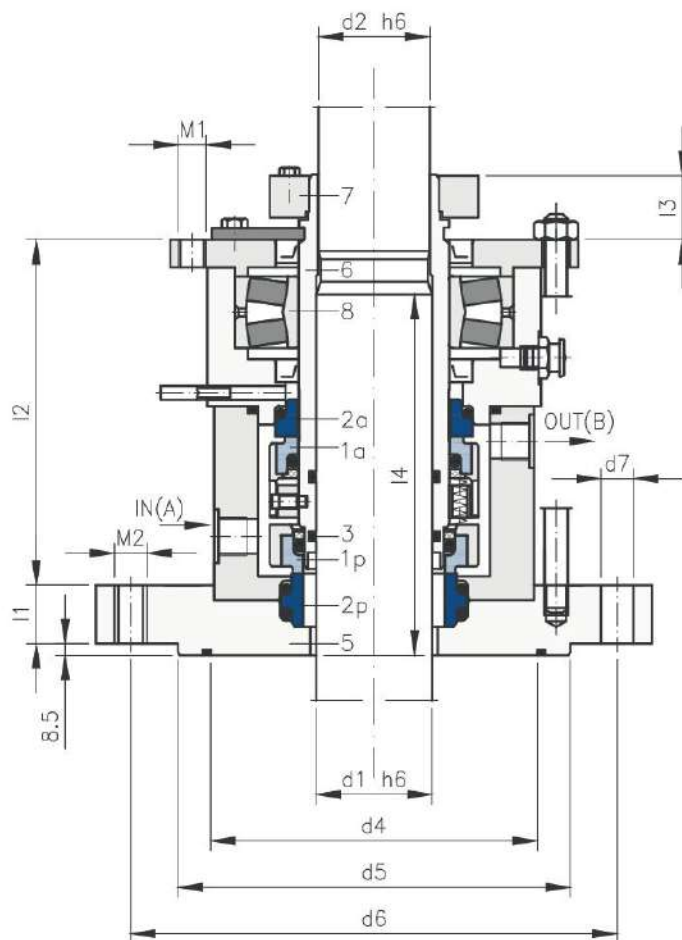
Floating bearing included.

All ADC80 models are for unstopped shafts based on (DIN 28154). For stepless shafts, use the reference ADC81.

FLANGE COMPONENTS

- A: Barrier fluid quench IN
- B: Barrier fluid quench OUT
- C: Drainage
- D: Leakage drain G 1/8"
- E: Cooling IN G 3/8"
- F: Cooling OUT G 3/8"
- G: Grease
- T: Temperature metering



**COMPONENTS:**

- 1p Rotating contact surface product side
- 2p Stationary contact surface product side
- 1a Rotating contact surface atmospheric side
- 2a Stationary contact surface atmospheric side
- 3 O- ring
- 5 Flange
- 6 Sleeve
- 7 Drive rings
- 8 Bearings

DIMENSIONS CHART Dimensions in mm

Shaft												
d ₁	d ₂	d ₃	d ₄	d ₅	d ₆	nxd ₇	l ₁	l ₂	l ₃	M ₁	M ₂	A,B
40	38	175	90	110	145	4 x 18	15	136	28	M12	M16	G3/8
50	48	240	135	176	210	8 x 18	17	149	28	M12	M16	G3/8
60	58	240	135	176	210	8 x 18	17	156	28	M12	M16	G3/8
80	78	275	155	204	240	8 x 22	20	189	34	M16	M20	G1/2
100	98	305	19	234	270	8 x 22	20	190	34	M16	M20	G1/2
125	120	330	215	260	295	8 x 22	20	205	40	M20	M20	G1/2
140	135	395	250	313	350	12 x 22	20	222	40	M20	M20	G1/2
160	150	395	265	313	350	12 x 22	25	219,5	40	M20	M20	G1/2
180	170	445	310	364	400	12 x 22	25	230	45	M24	M20	G1/2
200	190	445	310	364	400	12 x 22	25	237,5	45	M24	M20	G1/2
220	210	505	340	422	460	16 x 22	25	249,5	50	M24	M20	G1/2

Dimensions subject to changes or modifications.